



ST-510AM Stand-Alone Proximity Access Control



- Waterproof design. Tight structure design of silicone washer. Durable and strong weather resistance.
- Touch proximity panel. With indicator and door bell.
- Use master card operating mode.
- 100 cards capacity. Customized proximity panel and frame color are available.
- Tricolored BAR and a set of external indicator light (RED) which goes with a set of buzzer to indicate operation. External indicator light is available for user to set.

Specification

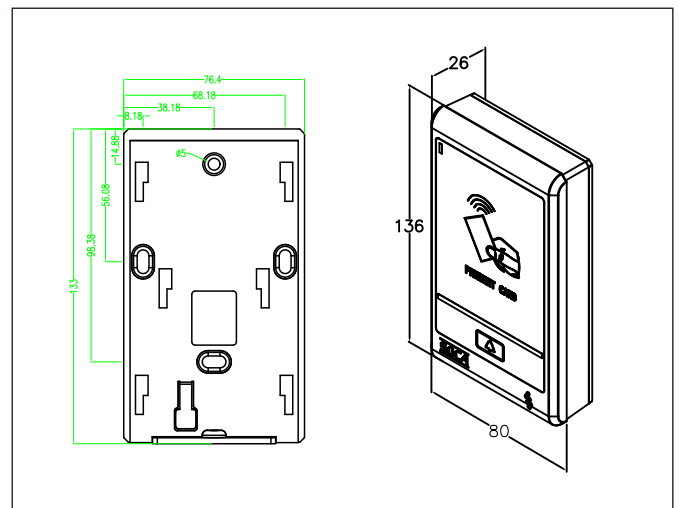
Power Supply	DC 12V \pm 15%
Power consumption	150mA (standby); 200mA (operation) \pm 5%
Door bell connector	Built-in RELAY(1A@DC12V)
Door control RELAY	Built-in RELAY(1A@DC12V)
outer casing	Fireproof polycarbonate material
Frequency	13.56MHz
Door opening method	Proximity card
Door closing time	00-10 seconds
Card capacity	100
Input point	1. Exit push button 2. Anti-theft detection
Output point	1. Door open output 2. Alarm output
Keyboard	3x4, Touch proximity panel
Weight	300 g (included wrapping)

Series Mode

ST-510AM :13.56MHz,Mifare format
ST-510AMH:13.56MHz,Mifare SOCA format

Dimensions

Unit:mm



Structure Diagram

Unit:mm

