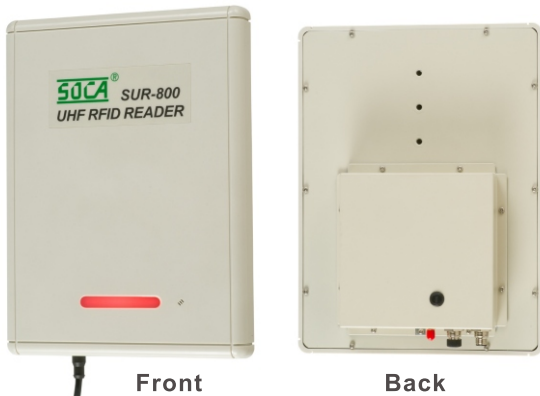




SUR-800 UHF RFID Long Distance Reader



- Integrated linearly polarized antenna design, an external set of antenna is able to connect to enhance its proximity range.
- A set of external trigger proximity contact to connect with ground sensing coil or infra-red sensor.
- Stable read distance up to 5~8 m (according to type of card and environment), proximity card as passive (no batteries necessary).
- Waterproof design, LED display and buzzer available.
- Double-coated rust-proof treatment (painted and galvanized), stainless steel screws, outer case is made of UV resistance material.

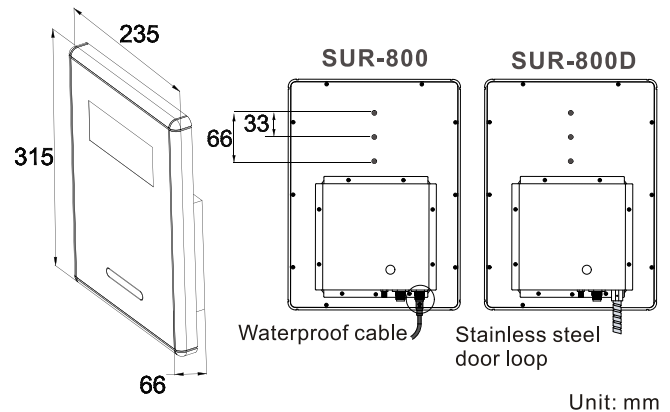
Specifications

Com. Interface	Wiegand 26/34 bit
Communication protocol standard	EPC Class 1 GEN2 / ISO 18000-6C
Power Supply	DC 12V/1.2A
Frequency range	US:902~928 MHz / EU:865~869 MHz
Proximity range	Maximum 5-8 m (according to the spot and Tag signal)
LED indicator	Red and green \ Buzzer x 1 (user to set or control by main unit)
External antenna	1 set (maximum 3 m of wire to connect)
Ingress protection	IP 65 (fully dustproof and waterproof)
Waterproof cable	IP 65 (fully dustproof and waterproof)
Temperature	45°C (30°C of environment testdr)
Environment	Temperature 0-60°C, Humidity 10-85% Rh max
Trigger contacts	A set of trigger proximity contacts
Dimensions	315(L)×235(W)×66(H) mm
Weight	2100g(nw.) / 2600g(gw.)

Series Model

- SUR-800 : Long Distance Reader
- SUR-800D : Long Distance Reader(w/ door loop)
- SC-60 : Proximity lable/Thin card (optional)
- SC-60L : Proximity lable/Lamp type(optional)
- SC-60G : Proximity lable/Window type(optional)

Dimensions



Installation example

