



SL-165 Surface-Mounted Type Dead Bolt Lock



- Integrated surface-mounted designed for easy installation.
- Adjustable wiring hole according to the environment.
- Adjustable lock time(0 sec. & 3 sec.).
- 1 set of push button control contact is available.
- Lock indicator is available for lock status.
- Built-in microcontroller. Automatic current output control according to the door leaf position. The current is being lowered to 210mA after 6 seconds of door leaf positioning in order to cut down power consumption and lower the temperature of the lock body.

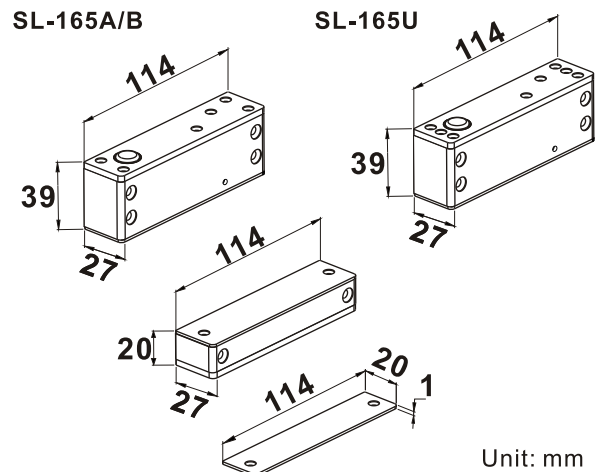
Specification

	SL-165A	SL-165B	SL-165U
Door Positions Sensor	N.C.	N.C. & N.O.	N.C. & N.O.
Power Supply	DC 12V		DC 12V : DC 24V
Operation current	570mA		570mA : 280mA
Holding current	210mA		210mA : 110mA
Application	90° door		
Delay Time	0,3 sec.(Adjustable)		
Mechanic life	more than 500,000 times		
Operation temperature	Maximum 45°C (Room temperature 30°C)		
Operation environment	Temperature 0-70°C, Humidity 85%Rh max		
Range of the door crack	Maximum of 6 mm		
Bolt	14mm(Throw) x 12.7mm(Diameter)		
Weight	450g (included wrapping)		

Series Model

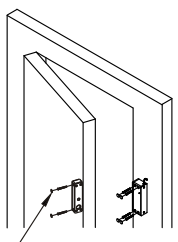
- SL-165A : With N.C. door position detection output
- SL-165B : With N.C. And N.O door position detection output
- SL-165U: With DC 12V~24V power supply.

Dimensions



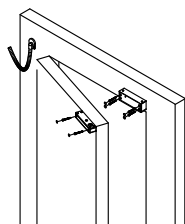
Installation

Vertical



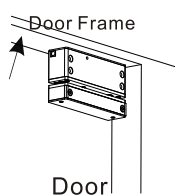
Finally, stick screw stickers.

Horizontal

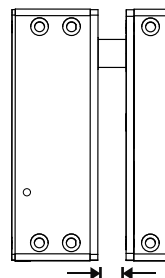


Upward

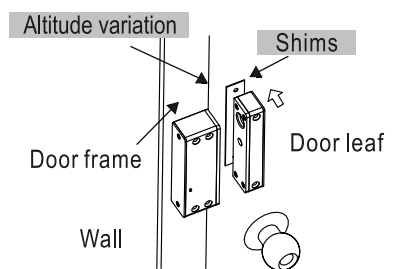
SL-165U only



Attention



Maximum distance as 6mm. It is unable to lock if the spacing is exceeding 6mm.



Please use shim when there is an altitude variation at the joint of the door frame and door leaf.

Optional Bracket

