

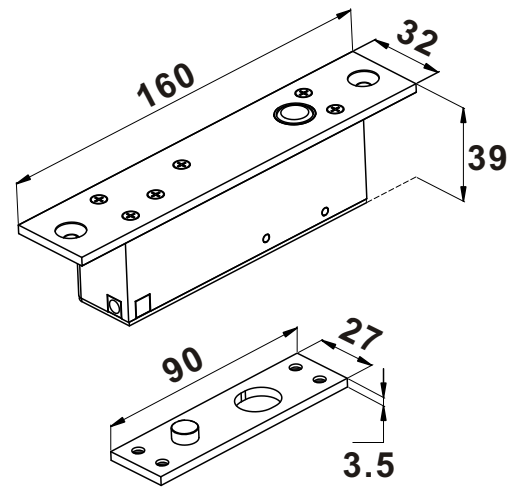
## Series Model

- SL-166A : With N.C. door position detection output
- SL-166B : With N.C. And N.O door position detection output
- SL-166U : With DC 12V~24V power supply

## Special features

- Adjustable wiring hole according to the environment.
  - Adjustable lock time( 0 sec. & 3 sec. ).
  - 1 set of push button control contact is available.
  - Lock indicator is available for lock status.
- Built-in microcontroller. Automatic current output control according to the door leaf position. The current is being lowered to 210mA after 6 seconds of door leaf positioning in order to cut down power consumption and lower the temperature of the lock body.

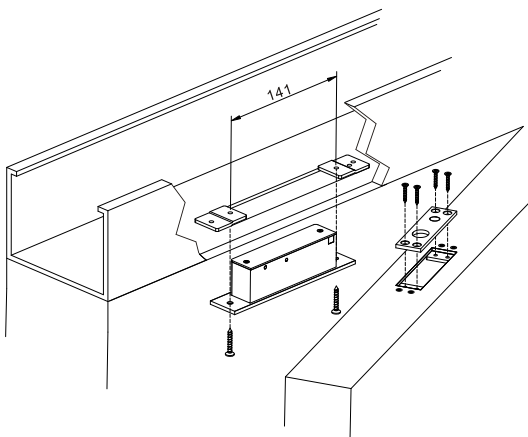
Specification		Dimensions		
	<b>SL-166A</b>	<b>SL-166B</b>	<b>SL-166U</b>	
Door Positions Sensor	N.C.	N.C. & N.O.	N.C. & N.O.	
Power Supply	DC 12V		DC 12V	DC 24V
Operation current	570mA		570mA	280mA
Holding current	210mA		210mA	110mA
Application	all types of 90~180° door			
Delay Time	0,3 sec.( Adjustable)			
Mechanic life	more than 500,000 times			
Operation temperature	Maximum 45°C (Room temperature 30°C)			
Operation environment	Temperature 0-70°C, Humidity 85%Rh max			
Range of the door crack	Maximum of 6mm			
Bolt	14mm(Throw) x 12.7mm(Diameter)			
Weight	460g (included wrapping)			



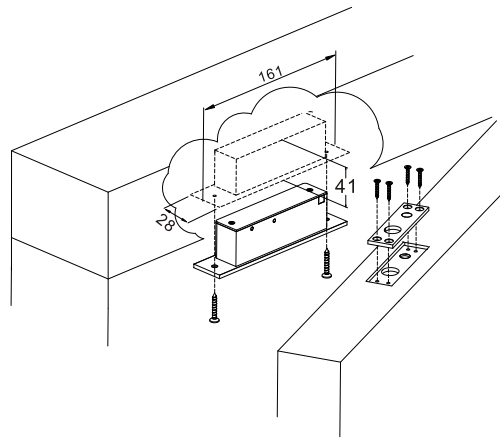
Unit: mm

## Installation

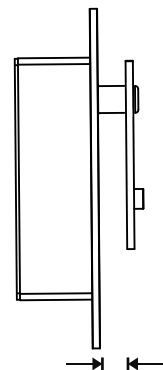
### Hollow metal doors



### Wooden doors



### Attention



Maximum distance as 6mm.  
It is unable to lock if the spacing is exceeding 6mm.