

### Series Model

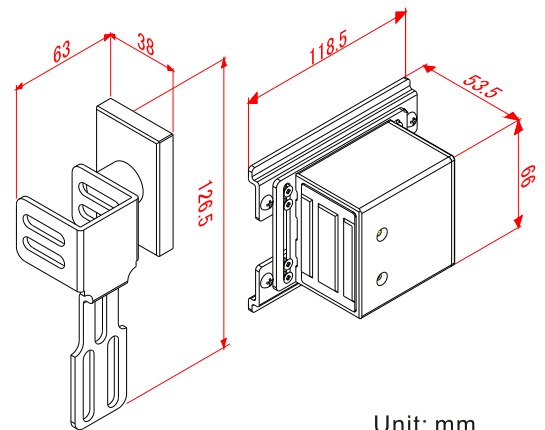
- SL-150 : Without door position detection output
- SL-150A : With N.O. door position detection output, support anti-pinch function.

### Special features

- Door position detection output to support anti-pinch function.
- All-in-one design for easy installation. The lock itself would not have any residual magnetism.
- Adjustable width (59mm~89mm) for different sliding doors' slots.
- Armature bracket which can be adjusted horizontally or vertically for better fitting.
- Multi-voltage input design to fit all types of sliding doors (DC12V, AC110V, AC220V).
- The lock itself is equipped with door open push button and state indicator lights for better maintenance of automatic doors.
- Built-in photo couplers door open push button input contact to prevent interference and for easy installation of access switch.

## Specification      Dimensions

	SL-150	SL-150A
Door Positions Sensor	×	Available(support anti-pinch function)
Power Supply	DC 12V \ AC110V \ AC220 ± 15%	
Power consumption	150mA@DC12V ± 5%	
Application	Automatic doors	
Output delay time	0.5 Seconds	
Relock time	9 seconds after door open	
Maximum holding force	175Lbs(80Kg)	
Adjustable width	59mm~89mm	
Open door contact	Photo coupler contact	
Door open test button	Available	
Demagnetizer	Electronic demagnetizer	
Indicator	Red LED light	
Weight	1250g (included wrapping)	



Unit: mm

## Structure diagram

