



### Series Model

- AP-30:RS-232/RS-485 Converter
- AP-60:Ethernet/RS-485/RS-232 Converter
- AP-80:USB/RS-232/RS-485 Converter

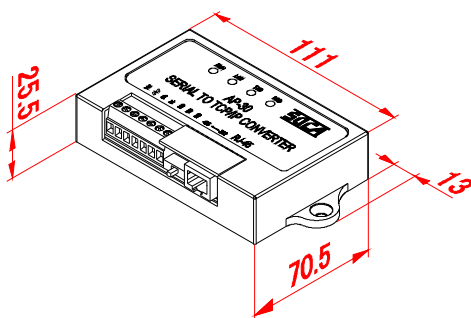
### Special features

- Self-testing function for easy checking and maintenance.
- AP-60 and AP-80 also provides conversion of RS-232 signal function.
- Built-in WATCH DOG for monitoring operation of the system.
- Convert the original RS-485 signal into desired signal that PC required.
- AP-80:Power supply from USB port, no external power supply required.
- The module itself is able to isolate 1000 Voltage in order to protect the computer.

### Specification

	AP-30	AP-60	AP-80
<b>Power Supply</b>	DC 12V ± 15%	DC 12V ± 15%	USB power supply (DC5V)
<b>Current</b>	50mA	50mA	50mA
<b>Transfer rate</b>	Automatic adjusting, up to 115200 bps.	10/100m bps Ethernet interface	RS-232/RS-485 : 115.2Kbps (maximum speed) USB 2.0 : 12Mbps (maximum speed)
<b>Valid Distance</b>	1200M(RS-485)	1200M(RS-485)	1200M(RS-485)
<b>Connectors</b>	1.RS-232:DB-9 2.RS-485:4 terminal Block	1.Ethernet:RJ45 X1 2.RS-485:Terminal Block X2 3.RS-232:Terminal Block X3	1.USB:RJ45 X1 2.RS-485:Terminal Block X2 3.RS-232:Terminal Block X3
<b>Communications Protocol</b>	X	TCP, UDP, IP,ARP, ICMP, HTTP, DHCP	X
<b>Weight</b>	275g(included wrapping).	275g(included wrapping).	275g(included wrapping).

### Dimensions



Unit: mm

### Structure diagram

