



# CL-50 / CL-50E CABINET LOCK

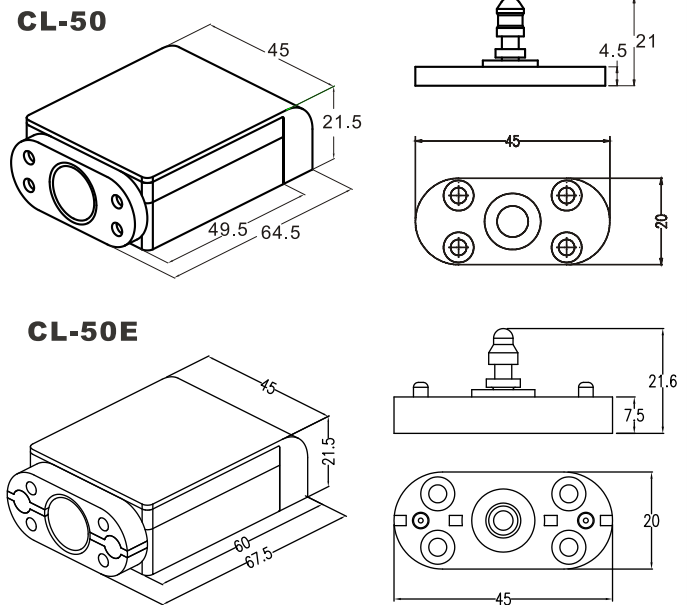


- Compact and easy to install, suitable for drawer, cabinet, locker and etc.
- Adjustable fail-safe (power to lock) or fail-secure (power to open), according to user's need.
- Door position state output to detect door location (open or close door.)
- Dual-mounting directions available for user to choose.
- Adjustable DC12V /DC24V dual-voltage design.
- Maximum of 100 kg holding force.

## SPECIFICATION

Model	CL-50 : standard CL-50E : ejection type
Power Supply	AC12V/24V(±5%) ; DC12V /24V(±5%)
Current Consumption	CL-50 200mA@12VDC ; 100mA@24VDC 150mA@12VAC ; 75mA@24VAC ----- CL-50E 920mA@12VDC ; 450mA@24VDC 780mA@12VAC ; 390mA@24VAC
Signal Output	Door position detection (COM/NO/NC)
Lock Type	CL-50 : Fail-safe or fail-secure (adjustable) CL-50E : Fail-secure
Door leaf width	> 25cm
Holding force	100Kg(220lbs)
Mounting	Front or side
Application	Mailbox 、 Drawer 、 Locker
Operation Environment	Temperature 0-80°C , Humidity 85% Rh max
Weight	CL-50 : 123g(G.W) CL-50E : 128g(G.W)

## DIMENSIONS



## STRUCTURE DIAGRAM

